



Model: See affected models

Serial #: N/A

Mar. 28, 2024

Product Bulletin # TDS-251 Rev 2

Mudline Mount Inspection

Issue

High wind conditions may contribute to causing the rotary hose to distribute a high load on the mudline and mudline mount.

Affected Models

Canrig Top Drives models C500 and C750 (formerly 1250AC and 1275AC)

Part Reference

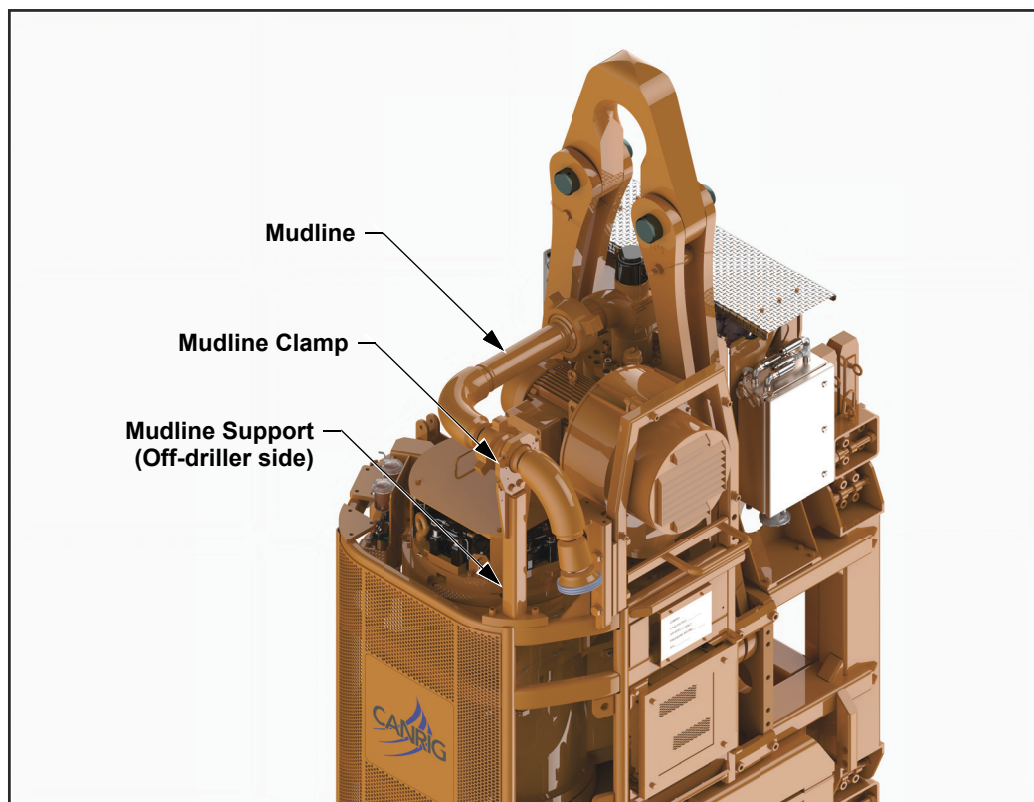


Figure 1: Mudline mount and clamp



Model: See affected models	Mar. 28, 2024
Serial #: N/A	

Inspection

1. Visually inspect all the weld joints on the (ODS or DS) off-driller's side mount (P/N: DT33527-ODS) and drillers side mudline mount (P/N: DT33527-DS) particularly between the square tubing and the triangular base plate as shown in Figure 2. If welds indicate cracks or breaks, record and contact [Canrig Part Sales](#) for replacement.



Figure 2: Mudline side mount

Model: See affected models	Mar. 28, 2024
Serial #: N/A	

2. Visually inspect the mudline mount and clamp to ensure secondary retention and safety securement has been installed and secured as shown in Figure 3. Refer to bulletin "[Mudline Clamp Alert](#)" (TDS-155) for further guidance on mudline clamp installation.

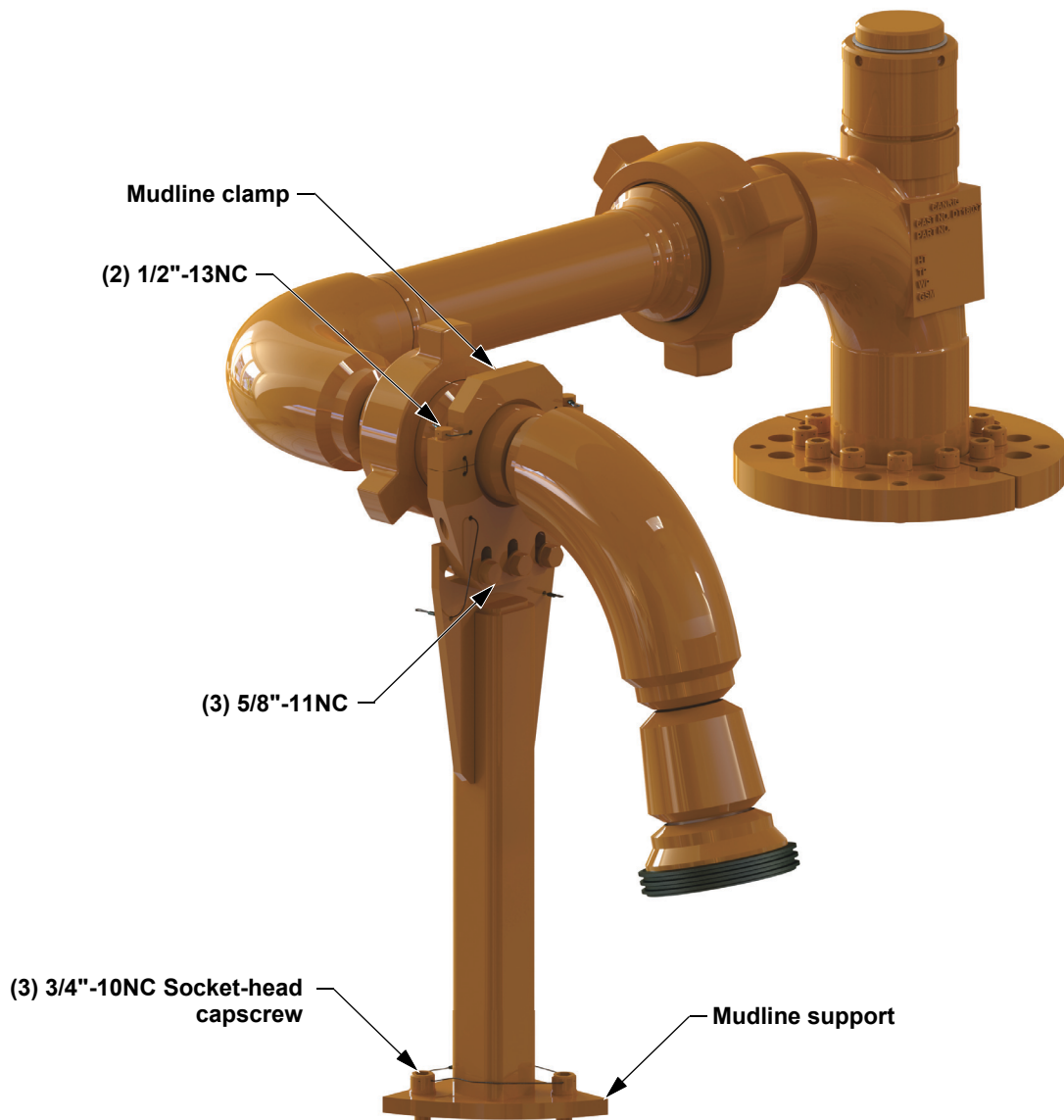


Figure 3: Secondary retention on mudline mount

Safety Securement Improvement

As an improvement, the mudline mount can be modified to include gussets and a safety securement pad-eye, as shown in Figure 4 and Figure 5. A provision to add safety securement in the event the mudline mount welded joint fails is shown in Figure 6 and Figure 7. **Material: ASTM A36 or equivalent** is required for the Pad-eye and gusset details.

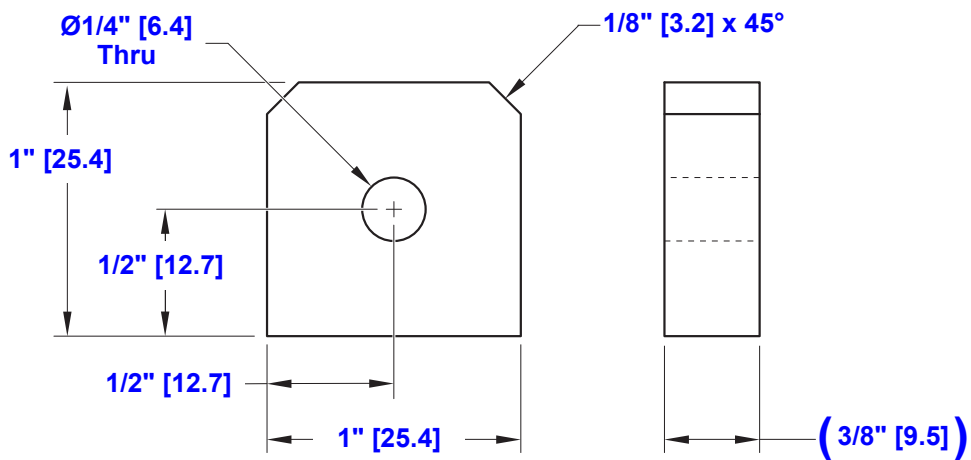


Figure 4: Mudline safety securement (Pad-eye) detail

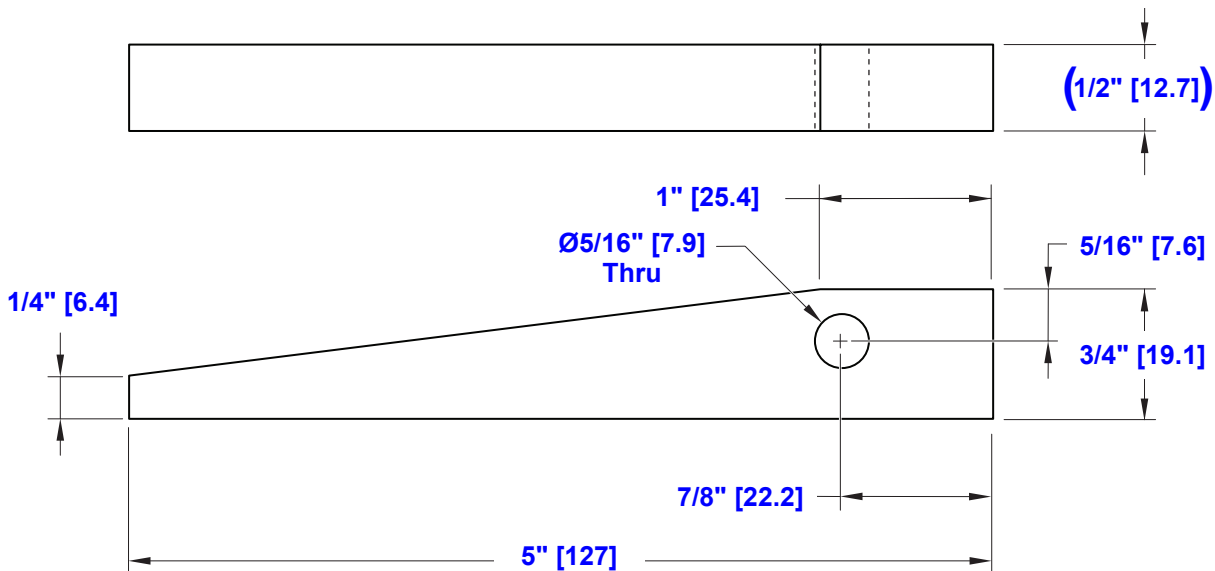


Figure 5: Gusset detail

Model: See affected models	Mar. 28, 2024
Serial #: N/A	

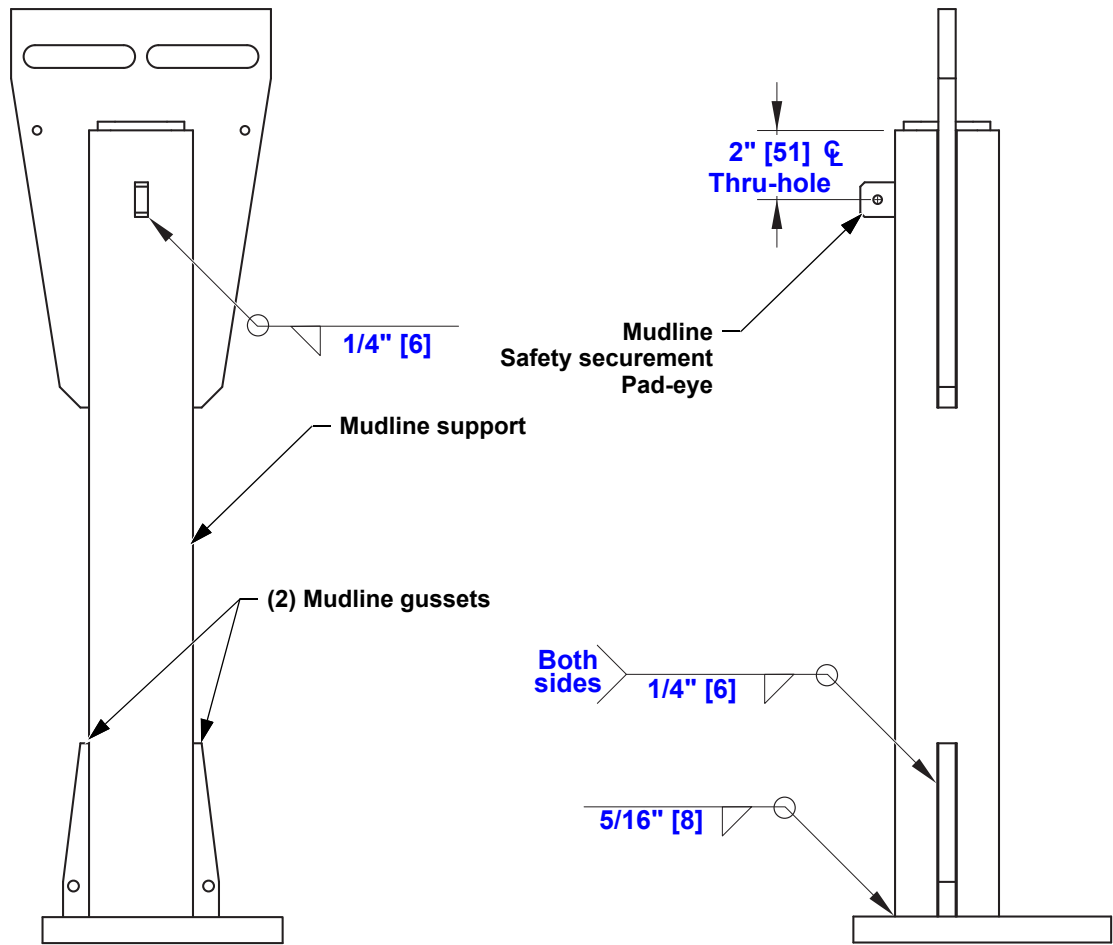
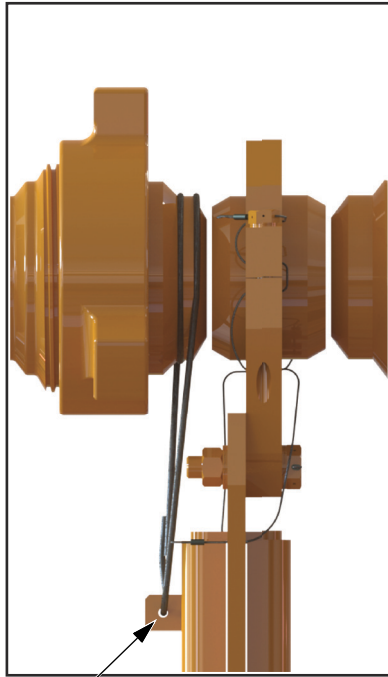


Figure 6: Gussets and pad-eye weldment



**Securement
Mudline support**



**Securement
Mudline mount**

Figure 7: Weldment install and securement