



**Model:** PC2000, PC3000,  
PC4000

January 17, 2013

**Serial #:** All

Product Bulletin # Catwalk 25

## Safety Alert



# Power Catwalk E-Stop Button Safety Alert

## Issue



This condition should never occur during normal operation of the Power Catwalk.

During the commissioning of a PC3000 Power Catwalk, an abnormal condition exposed the fact that the E-Stop button on the Power Catwalk (models PC2000, PC3000, and PC4000) can be bypassed and the motor will continue to run when E-Stop is pressed. The conditions that produce this abnormal situation are:

1. The motor is running with the AUTO/HAND selector switch (SS1) inside the control panel in AUTO.
2. SS1 is switched from AUTO to HAND.
3. The E-Stop button on control panel console is pressed.

<b>Model:</b> PC2000, PC3000, PC4000	January 17, 2013
<b>Serial #:</b> All	
<b>Safety Alert</b>	

## Description

SS1 is located in a branch circuit between the E-Stop and the E-Stop Status PLC input. When the HAND switch position is selected, the motor-start relay is energized by a 24 VDC power source routed through the E-Stop and SS1 contacts. (Refer to Figure 1.)

If SS1 is switched from AUTO to HAND when the motor is already running, the pump motor relay will remain energized from the PLC start/stop output, resulting in two voltage sources being applied to the relay simultaneously. (Refer to Figure 1.)

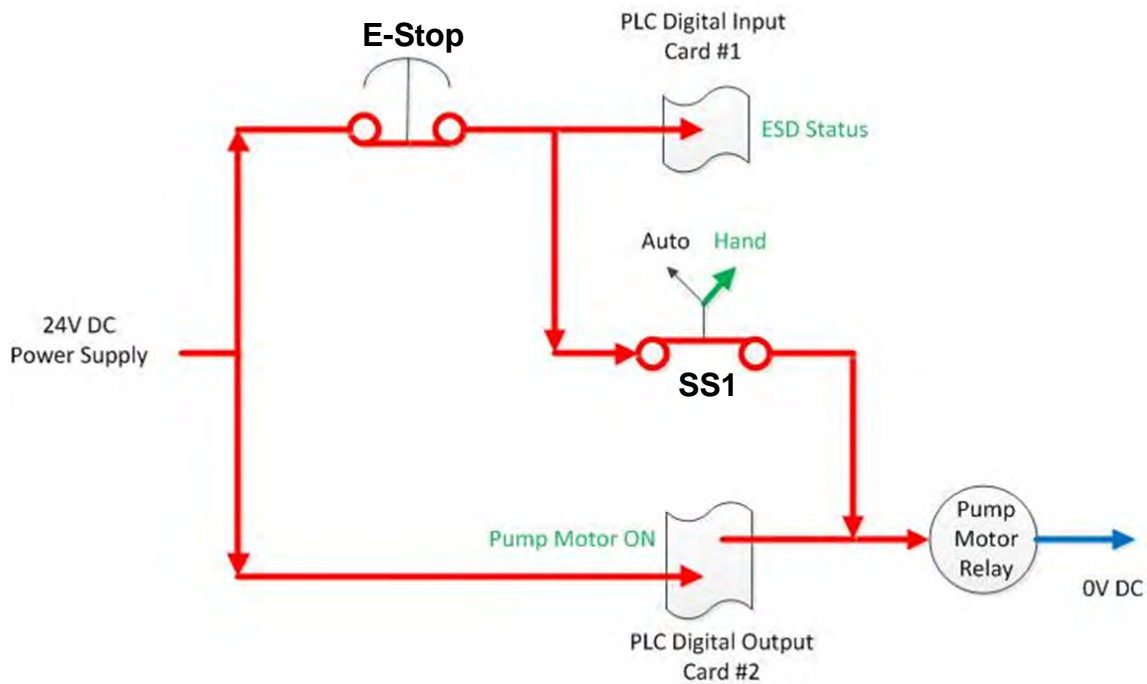


Figure 1: E-Stop Button Not Pressed

If the E-Stop on the Control Panel Console is then pressed, the E-Stop contacts are bypassed, and the 24 VDC signal from the PLC Motor Start output keeps the E-Stop Status signal energized by supplying 24 VDC through SS1 (Refer to Figure 2).

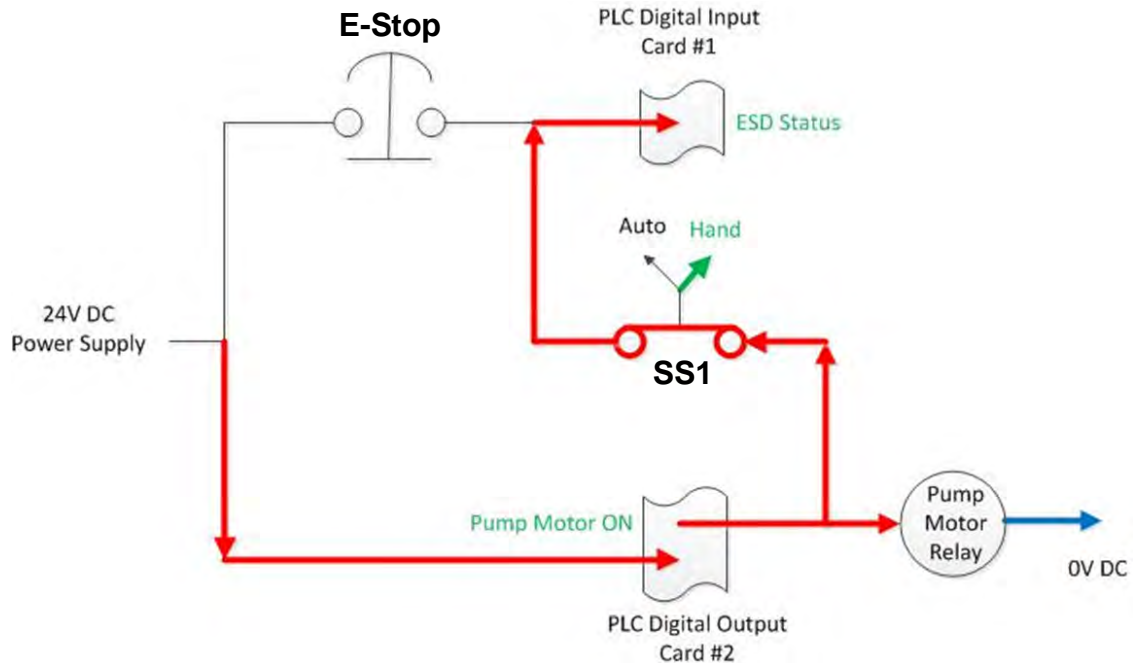


Figure 2: E-Stop Button Pressed

## Recommendations

- Always follow safe operating procedures in accordance with the operations manual
- Do not switch SS1 to HAND when the motor is running. Use the Pump Stop button or E-Stop (in an emergency) to shut the motor off first. Wait a few seconds and then restart the motor by switching SS1 to HAND.
- Do not operate the Power Catwalk in HAND mode except in circumstances such as an emergency or when setting up the carrier positions.
- A product bulletin will follow with instructions for modifying the electrical circuit to prevent this situation from occurring.